

# Course work for Elementary Math Endorsement

If you are interested in developing your knowledge of mathematics for K-6 teaching, this course series will provide content for an elementary math endorsement. Courses are offered through Urban Institute for Teacher Education in the College of Education at the University of Utah.

## Summer 2017 Course Schedule:

### Summer 2017

#### EDU 6950-38: Geometry and Measurements

July 10 - July 14, 2017. Meets 8:00am to 5:00pm, 3 credit hours, Cost \$400.00

Register online: [HERE](#)

#### EDU 6950-39: Assessment and Intervention

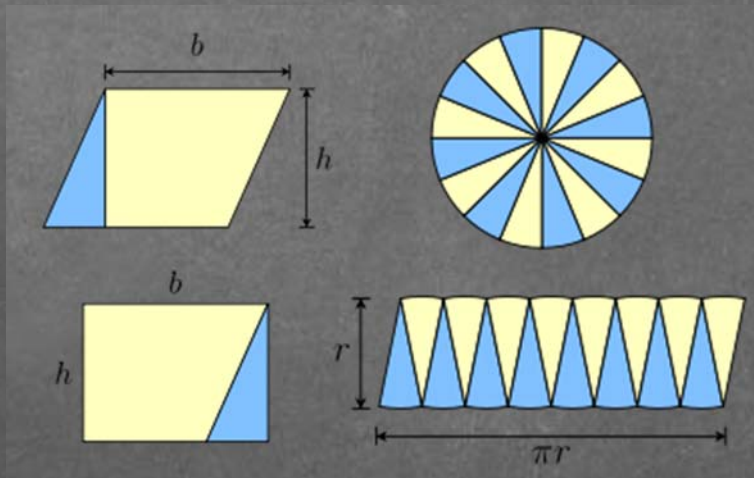
July 17 - July 21, 2017. Meets 8:00am to 5:00 pm, 3 credit hours, Cost

\$400.00 Register online: [HERE](#)

#### EDU 6950-40: Problem Solving and Data Analysis

July 31 - August 4, 2017. Meets 8:00am to 5:00 pm, 3 credit hours, Cost

\$400.00 Register online: [HERE](#)



### Registration Information:

Registration Opens March 20th, 2017

You do not need to be a current University of Utah student to enroll.

For more information, please contact:

Kristen Lindsay

[kristen.lindsay@utah.edu](mailto:kristen.lindsay@utah.edu)